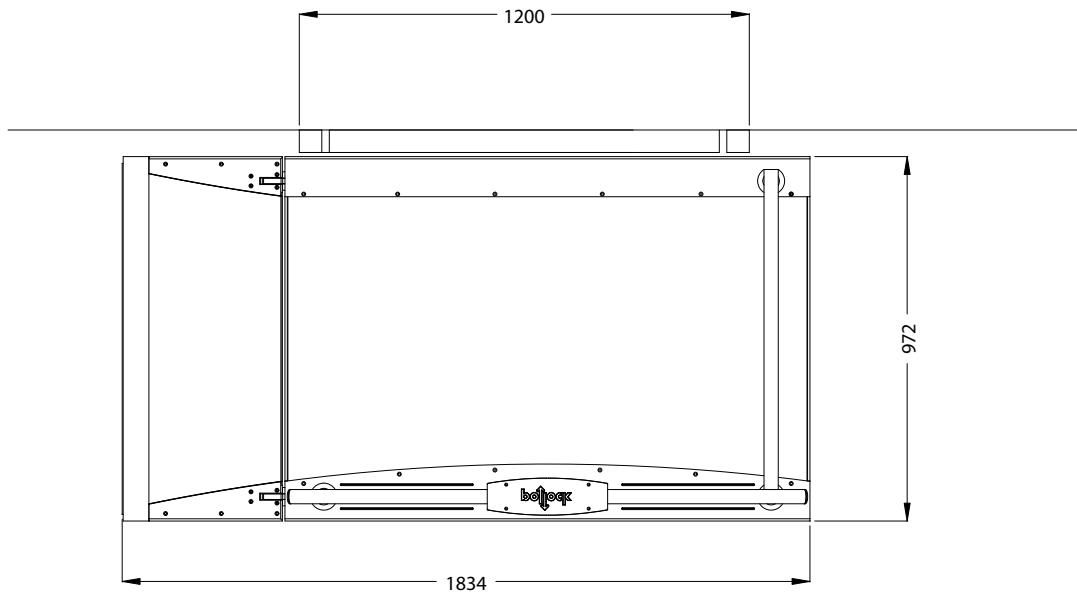
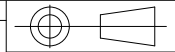


ALL DIMENSIONS IN MM TOLERANCE: +/- 0.25 MM UNLESS OTHERWISE STATED

DEBURR ALL SHARP EDGES

DO NOT SCALE DRAWING



				MACHINE TYPE		TITLE		PART NUMBER		CAD DRAWING REF.	
				STEP LIFT		GENERAL ARRANGEMENT OF STEP LIFT		50900158		50900158 .DWG	
								SHEET OF		BOOKS	
				SCALE REF.	DRN. BY	DATE	CHD. BY	DATE			
ISSUE	DATE	BY	REVISION	N.T.S.	S.M	12/06/03					